

# ATX™ FAS Series “Break Glass” Call Points

## Increased Safety and Flameproof

**ATEX:**  
**Zone 1 and 2**  
 Ⓢ II 2 GD  
 IP66 - IK10

### Applications

- Located on exit routes, in particular on the floor landings of staircases and at all exits to the open air.
- For use in hazardous areas where ignitable vapors, gases or highly combustible dusts are present.
- For installation in chemical and petrochemical plants, refineries and other process industries.

### Features

- Type PCe (increased safety version):
  - Hammer and stainless steel chain.
  - NO+NC contacts with 2.5 mm<sup>2</sup> (0.004 in<sup>2</sup>) terminals.
  - Earth termination: 2 x 4 mm<sup>2</sup> (0.003 x 0.006 in<sup>2</sup>) – internal and external.
  - 2 x M20 bottom entries supplied with polyamide cable gland – 6.5 to 14.5 mm (0.26 to 0.57 in) diameter and polyamide blanking plug.
- Type BR1d (flameproof version):
  - Hammer and stainless steel chain.
  - NO+NC contacts with 2.5 mm<sup>2</sup> (0.004 in<sup>2</sup>) terminals.
  - Earth termination: 2 x 4 mm<sup>2</sup> (0.003 x 0.006 in<sup>2</sup>) – internal and external.
  - 2 x M20 entries (1 top and 1 bottom) supplied with one aluminum blanking plug.

### Standard Materials

- Type PCe
  - Box: red painted aluminum alloy
  - Cover: red painted steel
  - Chain: stainless steel
- Type BR1d
  - Box: painted marine grade aluminum alloy (gray painted body and red painted cover)
  - Chain: stainless steel

### Options

- Special options available - consult factory for details.

### ATEX Certifications and Compliances

- Certification Type: PCe
  - Gas: Zone 1 and 2
    - Conforming to ATEX 94/9/CE: Ⓢ II 2 G
    - Type of Protection: Ex de IIC
    - Temperature Class: T6
  - Dust: Zone 21 and 22
    - Conforming to ATEX 94/9/CE: Ⓢ II 2 D
    - Type of Protection: Ex tD A21
    - Surface Temperature: T80 °C (T167 °F)
  - Ambient Temperature: -55 °C to +60 °C (-67 °F to +140 °F)
  - CE Declaration of Conformity: 50221
  - ATEX Certificate: LCIE 00 ATEX 6047
- Certification Type: BR1d
  - Gas: Zone 1 and 2
    - Conforming to ATEX 94/9/CE: Ⓢ II 2 G
    - Type of Protection: Ex d IIC
    - Temperature Class: T6 for Ta = +40 °C (+104 °F); T5 for Ta = +55 °C (+131 °F)



Ex de IIC Version  
(PCe Type)

Ex d IIC Version  
(BR1d Type)

- Dust: Zone 21 and 22
  - Conforming to ATEX 94/9/CE: Ⓢ II 2 D
  - Type of Protection: Ex tD A21
  - Surface Temperature: T95 °C (T203 °F)
- Ambient Temperature: -40 °C to +55 °C (-40 °F to + 131 °F)
- CE Declaration of Conformity: 50230
- ATEX Certificate: LCIE 02 ATEX 605
- Impact Resistance: IK10
- Index of Protection according EN/IEC 60529: IP66

### Other Certification ①

- Certification Type: PCe
  - EURASEC RU C-FR. Г505.B.00911
- Certification Type: BR1d
  - EURASEC RU C-FR. Г505.B.00911

CONTROL S: ATEX/IECEX INCREASED SAFETY CALL POINTS STATIONS AND AUDIO SIGNALING DEVICES

Appleton

① INMETRO certification available on special request only. Contact your local sales representative for more information.

# ATX™ FAS Series “Break Glass” Call Points

## Increased Safety and Flameproof

ATEX:  
 Zone 1 and 2  
 II 2 GD  
 IP66 - IK10

### Catalog Numbering Guide

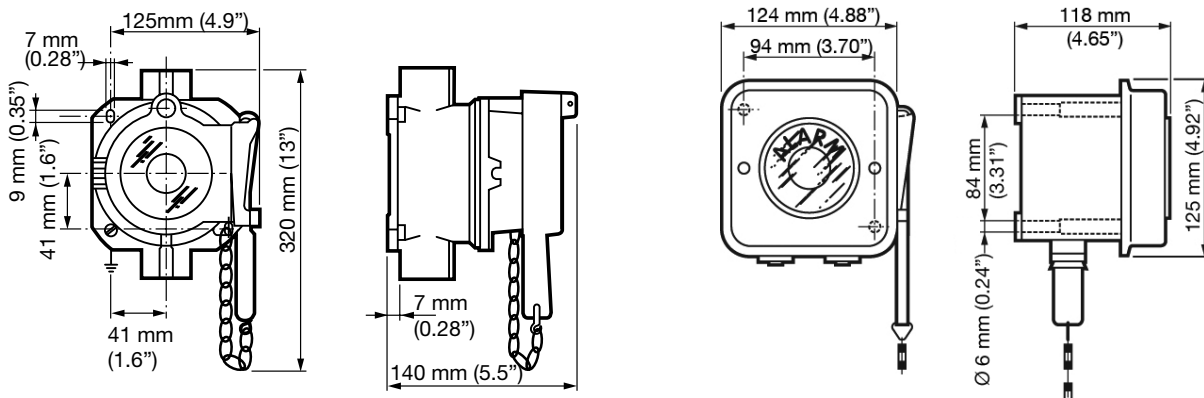
**FAS**  
 |  
 Series:  
 ATEX Certified

**D**  
 |  
 D - Ex d  
 E - Ex e

**A**  
 |  
 A - Automatic  
 M - Manual

Description	Weight kg (lb)	Volume dm <sup>3</sup> (in <sup>3</sup> )	Catalog Number	Pack
<b>Increased Safety Ex de IIC Version - Type PCe:</b>				
Manual breaking of the circuit after breaking the glass. Momentary NO+NC contacts	1.2 (2.6)	5 (305.1)	<b>FASEM</b>	1
Automatic breaking of the circuit as soon as glass is broken. Momentary NO+NC contacts	1.2 (2.6)	5 (305.1)	<b>FASEA</b>	1
<b>Flameproof Ex d IIC Version - Type BR1d:</b>				
Automatic breaking of the circuit as soon as glass is broken. Momentary NO+NC contacts	1.2 (2.6)	3.8 (231.9)	<b>FASDA</b> ①	1

### Dimensions in Millimeters (Inches)



① Cable entry is M25. Old PN 093818 had M20 entry. Please confirm cable entry size.

CONTROLS: ATEX/IECEx INCREASED SAFETY CALL POINTS STATIONS AND AUDIO SIGNALING DEVICES

